

# C-100BAF-(AD)DS

## SELF-CONTAINED CUBELET WITH BUILT-IN STORAGE BIN (ADA Compliant with Customized Door System)

Item # \_\_\_\_\_

Project: \_\_\_\_\_

Qty: \_\_\_\_\_

\*AutoCad available on KCL

C-100BAF-(AD)DS

I/11

Item # 13277

### CUBELET DIMENSIONS

W x D x H

#### C-100BAF

14<sup>7/8</sup> x 22<sup>5/8</sup> x 33<sup>1/2</sup>

#### C-100BAF-AD

14<sup>7/8</sup> x 22<sup>5/8</sup> x 31<sup>1/2</sup>

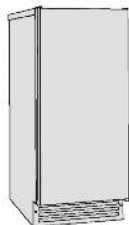
#### C-100BAF-DS

14<sup>7/8</sup> x 22<sup>5/8</sup> x 33<sup>1/2</sup>

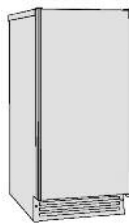
#### C-100BAF-ADDS

14<sup>7/8</sup> x 22<sup>5/8</sup> x 31<sup>1/2</sup>

\*DS - Designed to accommodate custom cabinetry to affix to stainless door.



C-100BAF(-DS)



C-100BAF-AD(DS)

### C-100BAF

Air-Cooled  
Shown

### C-100BAF-AD

Air-Cooled  
ADA Compliant Unit



### C-100BAF-DS\*

Air-Cooled  
Shown  
with Custom Cabinetry

### C-100BAF-ADDS\*

Air-Cooled  
ADA Compliant Unit



\*Customer responsible for providing cabinetry

### C-100BAF & C-100BAF-DS

- Undercounter design is less than 34 inches tall

### C-100BAF-AD & C-100BAF-ADDS

- Undercounter design is less than 32 inches tall, which complies with the Americans with Disabilities Act (ADA)

### C-100BAF(-DS) & C-100BAF-AD(DS)

- Up to 92 lbs. of ice production per 24 hours
- UL approval for outdoor use
- Up to 22 lbs. of built-in storage capacity
- Power switch accessible without panel removal
- Easily disassembled water circuit for easy cleaning
- Front in, front out airflow
- Fewer moving parts for longer life
- Swing style reversible door
- Side and top trim kit available
- Drain pump accessory - HS-0248
- R-134A Refrigerant



ISO9001-15014:2001

### Warranty

Valid in United States, Canada, Puerto Rico, & U.S. Territories. Contact factory for warranty in other countries.

**Two Year** - Parts & Labor on entire machine.

**One Year** - HS-0248 Drain Pump Assembly - Parts & Labor.



# C-100BAF-(AD)DS SELF-CONTAINED CUBELET WITH BUILT-IN STORAGE BIN

## DIMENSIONS W x D x H

**C-100BAF / C-100BAF-DS**  
14<sup>7/8</sup> x 22<sup>5/8</sup> x 33<sup>1/2</sup>

**C-100BAF-AD / C-100BAF-ADDS**  
14<sup>7/8</sup> x 22<sup>5/8</sup> x 31<sup>1/2</sup>

- Air-cooled
- ADA compliant

### AIR-COOLED

Water Temp ° F.	50°	70°	90°
Air Temp ° F.			
70°	92	89	84
80°	81	71	66
90°	66	62	57

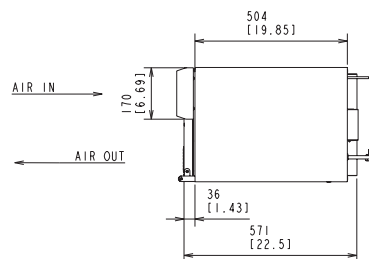
### UTILITY CONSUMPTION (AIR 70°F/WATER 50°F)

Model Number	KWH per 100 LBS.	Potable Water Gal. per 100 lbs.	Condenser Water Gal. per 100 lbs.
C-100BAF-(AD)DS	12.1	12	N/A

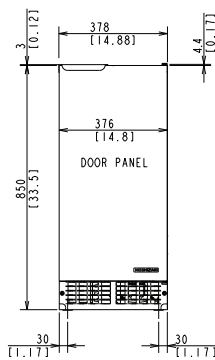
### SPECIFICATIONS

Model Number	Condenser	Amperage	Min. Circuit Ampacity	Shipping Weight
C-100BAF-(AD)DS	Air-Cooled	4.0	15	115 lbs.*

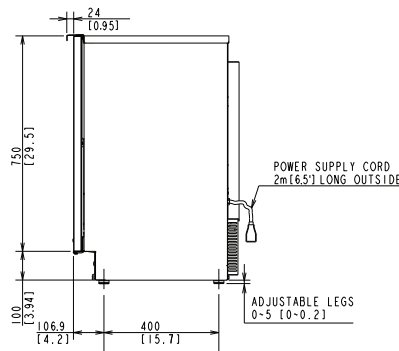
\* Without pallet



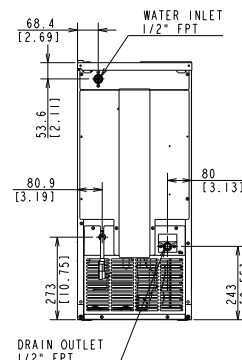
TOP DIMENSIONS



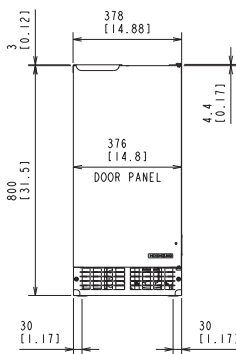
FRONT DIMENSIONS



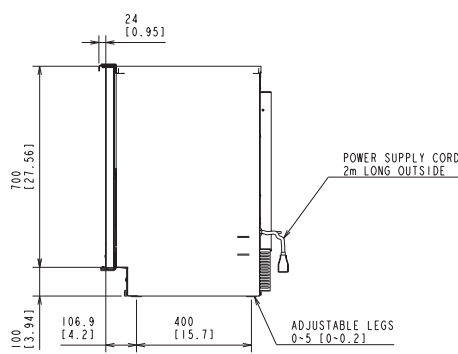
SIDE DIMENSIONS



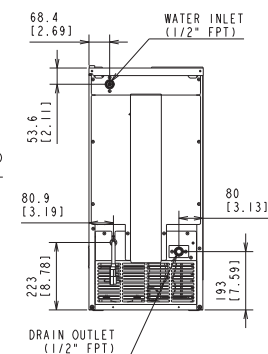
BACK DIMENSIONS



FRONT DIMENSIONS  
(ADA compliant unit)



SIDE DIMENSIONS  
(ADA compliant unit)



BACK DIMENSIONS  
(ADA compliant unit)

### ELECTRICAL & PLUMBING/C-100BAF-AD(DS)

- 115V/60/1
- 15 amp Max Fuse/HACR Breaker Size
- 1/2" FPT Water Inlet
- 1/2" FPT Drain



© HOSHIZAKI AMERICA, INC.

618 Hwy. 74 S., Peachtree City, GA 30269

### OPERATING LIMITS

- Ambient Temp Range 45 - 100°F
- Water Temp Range 45 - 90°F
- Water Pressure 7 - 113psig
- Voltage Range 104 - 127V

TEL 1-800-438-6087

FAX 1-800-345-1325

www.hoshizaki.com

Printed in U.S.A.

