



QM-30 • QM-45 Ice Cube Machines

Model

- QM-30A QM-45A



Standard Features

- Compact size. Ideal for any small-volume ice need.
- New clean, crisp coordinated interior.
- AlphaSan® in key internal components to extend time between cleanings.
- New, flat right angle plug for easier installation in tight spaces.
- Attractive stainless steel cabinet
- Easy access door, slides up & out of the way.
- Patented cleaning and sanitizing technology.
- Easy access air filter designed for longer operation in greasy and dusty environments.
- Front air intake and exhaust.
- CFC-FREE R-134A refrigerant.
- Manitowoc proven vertical evaporator using proprietary technology - made in Manitowoc, WI.
- Computerized control.

Refreshing! The New Manitowoc® Ice Undercounters

- Ranging from 60 lbs. (27 kgs) to 95 lbs. (43 kgs) daily ice production with a storage capacity of 30 lbs. (14 kgs.)
- Only 19.69" (50 cm) wide, 22.34" (56.75 cm) deep, and 36" (91.44 cm) high on 6" (15.24 cm) legs.

Warranty

- 3-year parts-and-labor warranty.

Specifications

BTU Per Hour:

QM-30: 1,600 (average)
2,350 (peak)

QM-45: 1,750 (average)
2,600 (peak)

Compressor:

Nominal rating: 1/4 HP

Legs:

Adjustable from 6.00"-7.25"
(15.24-17.78 cm).

Ice Storage:

One piece bin liner (seamless)
"rotocast" polyethylene.

Insulation:

Insulation foamed-in-place
with CFC-FREE foam.

Operating Limits:

Ambient Temperature Range:

QM-30: 50° to 113°F
(10° to 45°C)

QM-45: 40° to 110°F
(1.6° to 43°C)

Water Temperature Range:

QM-30: 50° to 86°F
(10° to 40°C)

QM-45: 33° to 90°F
(0.6° to 32°C)

Water Pressure Ice Maker Water In:

QM-30: Min. 34 psi
(240 kPa)
Max. 90 psi
(620 kPa)

QM-45: Min. 20 psi
(138 kPa)
Max. 80 psi
(551 kPa)

Ice Machine Electric

115/60/1. (230/50/1 also available.) 115/60/1 ice machines are factory pre-wired with a 6' (180 cm) power cord and NEMA 5-15P-plug configuration.

Total ampacity:

QM-30: 5.3 amps.

QM-45: 5.2 amps.

Maximum fuse size:

15 amps.

HACR-type circuit breakers can be used in place of fuses.

Ice Shape

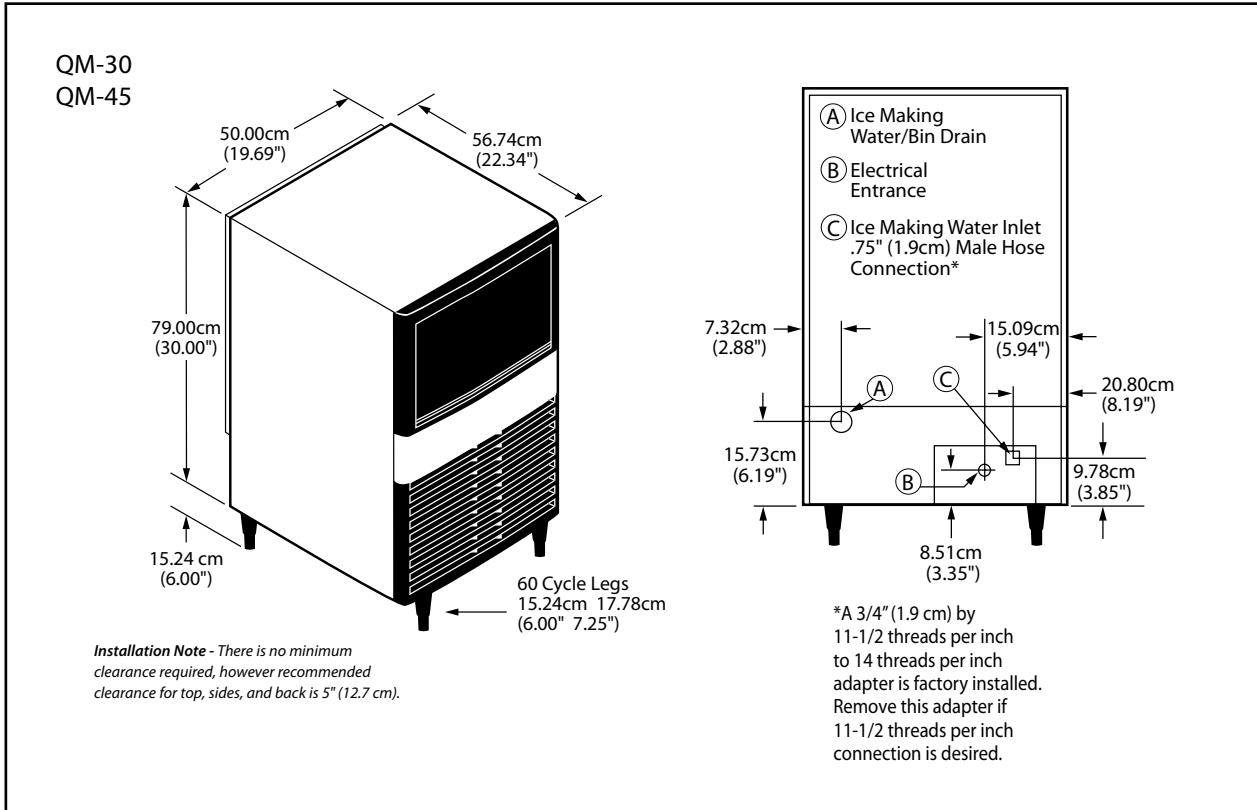


Dice
7/8" x 7/8" x 7/8"
(2.22 x 2.22 x 2.22 cm)





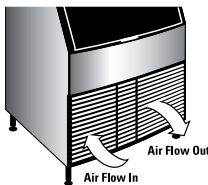
QM-30 • QM-45 Ice Cube Machines



Model	Ice Shape	Ice Production 24 Hours		Power kWh/100 lbs. @ 90°/70°F	Potable Water Usage @ 90°/70°F per 100 lbs/45.5 kgs of ice	Storage Bin Capacity
		70° Air/50°F Water 21° Air/10°C Water	90° Air/70°F Water 32° Air/21°C Water			
QM-30A	Dice	60 lbs.	49 lbs.	20.4	38.4 gal	30 lbs.
		27 kgs	22 kgs			14 kgs
QM-45A	Dice	95 lbs	65 lbs.	14.9	38.6 gal	30 lbs.
		43 kgs	30 kgs.			14 kgs

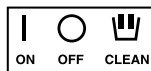
"A" following model number indicates "Air" cooled condensing unit.

Air Flow Top View



Air in left, air out right, no side vents. Great for installation under countertops and next to other equipment.

Front Access



Initiate ice, off and clean operations with simple upfront selector switch. No need to remove front panel. Now easier to see and access.

Air Filter



Slides out from left side front without tools, easy to clean, reusable filter protects condenser from lint, grease and dust.